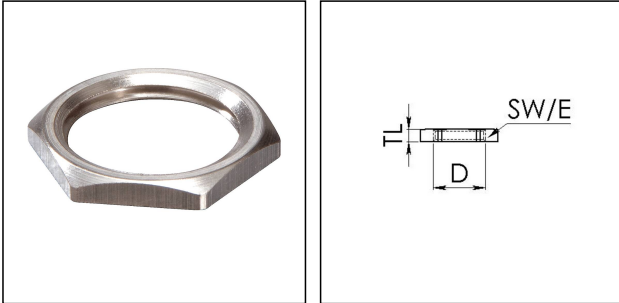


## MMU 11

Locknut, brass nickel-plated, Pg11



Products may differ in size, colour and appearance to those shown. If you require further information or customisation, please contact us directly.



<b>Material</b>	Brass nickel-plated
<b>Surface</b>	Nickel-plated
<b>Temp. range min</b>	-200 °C
<b>Temp. range max</b>	250 °C
<b>Thread type</b>	PG
<b>Ø Connection thread D</b>	11
<b>Key width SW</b>	21 mm
<b>Collar diameter (E)</b>	24 mm
<b>Total length TL</b>	3 mm
<b>Order no. nickel-plated</b>	10062143
<b>Type</b>	MMU 11
<b>Packing unit</b>	100
<b>ETIM-Classification</b>	EC000940

13.01.2020

Your Contact:

**WISKA Hoppmann GmbH**

Kisdorfer Weg 28 · 24568 Kaltenkirchen · Germany

☎ +49-4191-508-0 · 📠 +49-4191-508-209

contact@wiska.de · www.wiska.com



Your Contact:

**WISKA Hoppmann GmbH**

Kisdorfer Weg 28 · 24568 Kaltenkirchen · Germany

☎ +49-4191-508-0 · 📠 +49-4191-508-209

contact@wiska.de · www.wiska.com